

1 2 3 4 5 6 7 8

A A

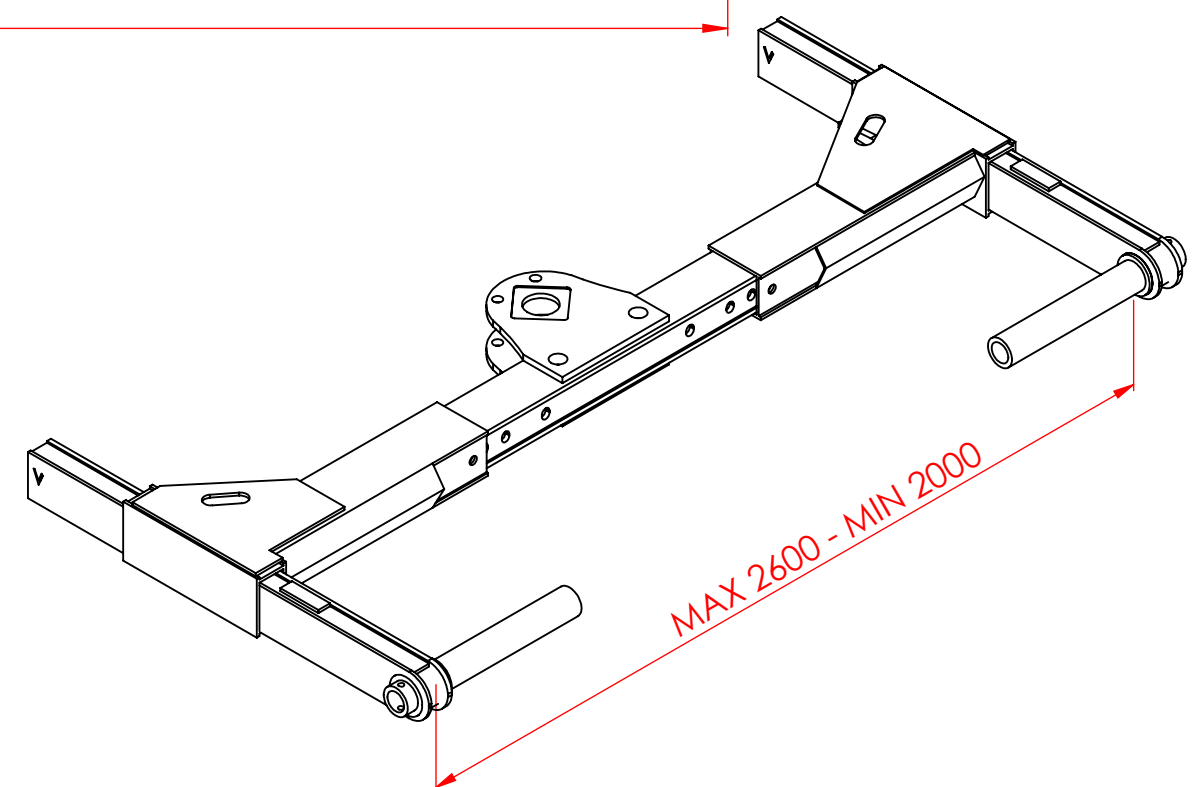
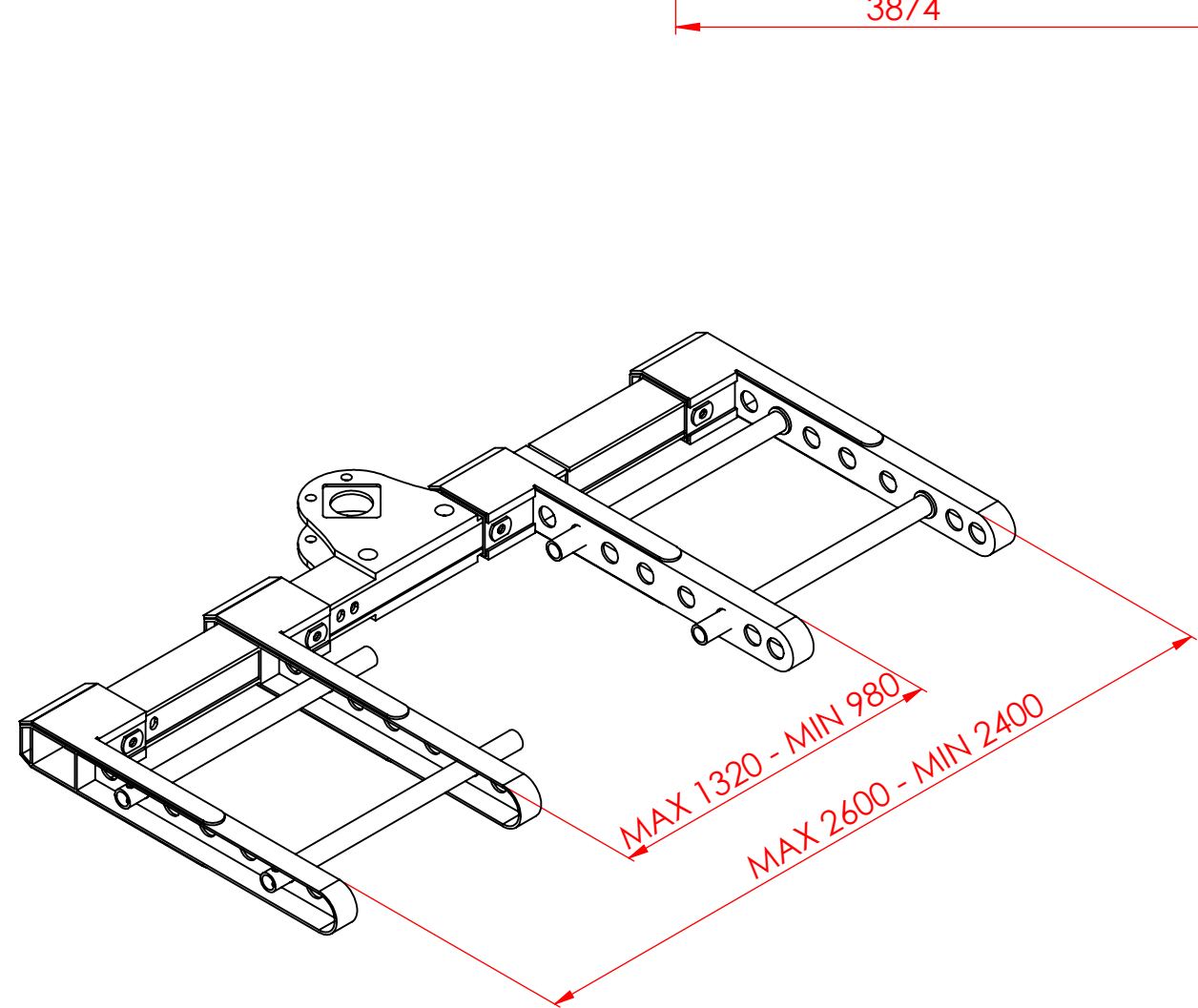
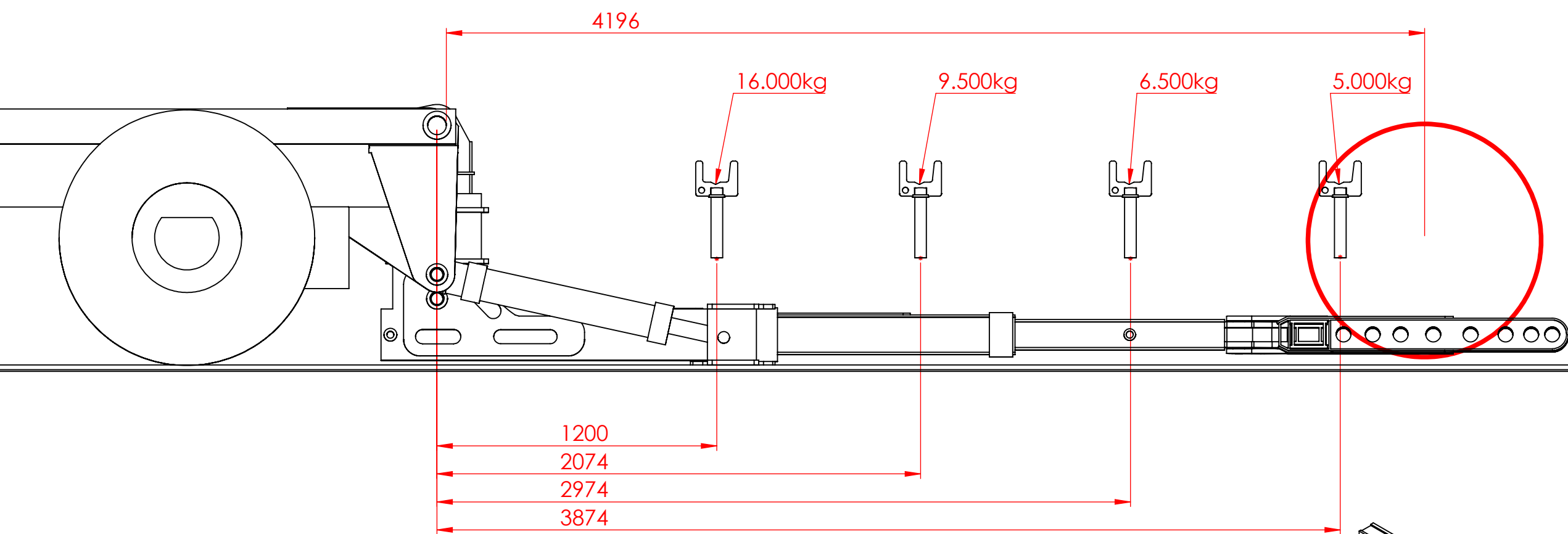
B B

C C

D D

E E

F F



UNLESS OTHERWISE SPECIFIED: DIMENSIONS ARE IN MILLIMETERS		DO NOT SCALE DRAWING		
DRAWN	NAME	DATE	B.I.M MOSXOS MANUFACTURER OF LIFTING APLIANCE N.MOUDANIA CHALKIDIKIS GREECE wed www.bim-mosxos.gr mail : bmosxou@yahoo.gr tel : +302373023044 fax +302373026374	
CHK'D	MOSXOU JOHN			
APP'VD				
	DWG NO.		TITLE:	OT 80V
	MATERIAL:		SCALE:1:20	A3
	WEIGHT:		SHEET 1 OF 1	